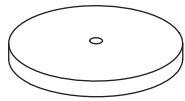


# Chloe Vanity Stool

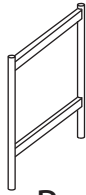
Part # B17-CHLOE-XX+XX

17-0901

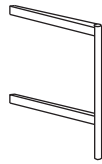
**PARTS**



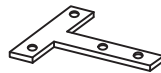
A



B



C



x2

D



x8

(m6 x 14mm)

E



x3

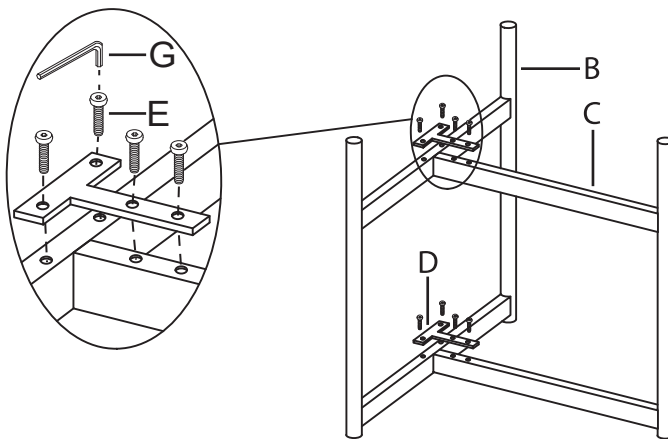
(m6 x 35mm)

F



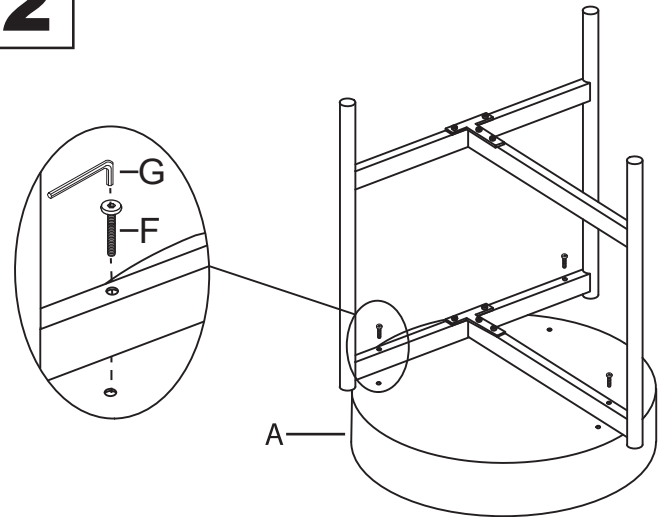
G

**1**



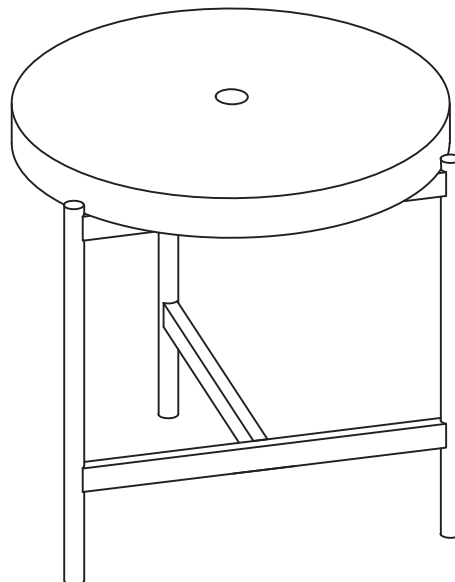
**!** **80%**  
tighten

**2**



**!** **100%**  
tighten

**3**



Do not over tighten.  
 Do not use power tools to assemble.